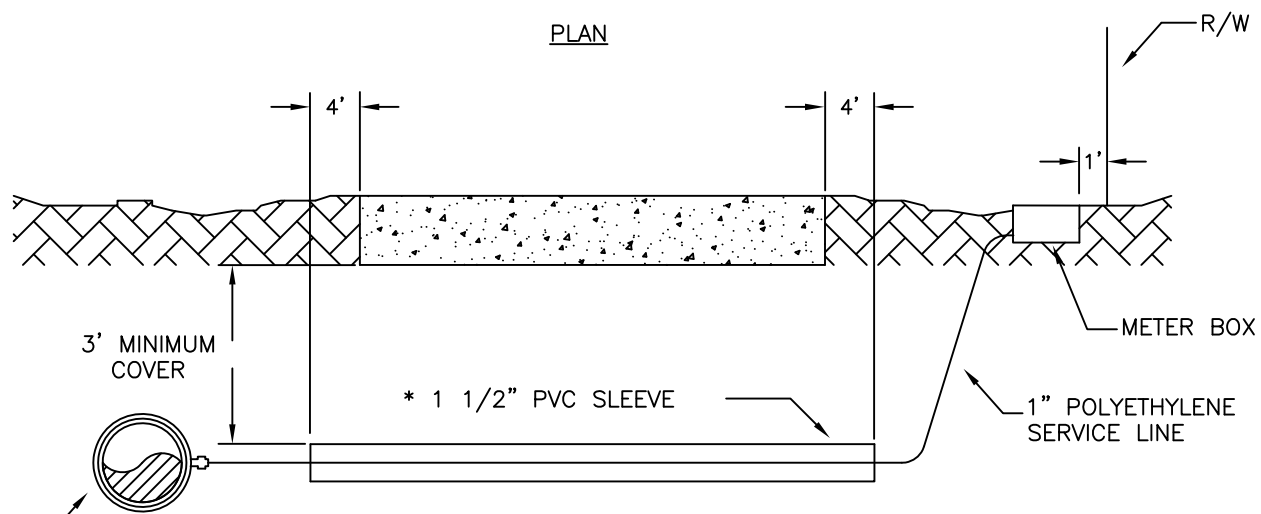


PLAN

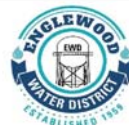


SECTION

* 2" BLACKSTEEL PIPE
WHEN REQUIRED

LAST REVISION	FEB. 2019
CHECKED	MM
APPROVED	KRL

**ROAD CROSSING
DETAIL**



ENGLEWOOD WATER DISTRICT
201 SELMA AVENUE
ENGLEWOOD, FLORIDA 34223